

699 028 756



FERRETERÍA INDUSTRIAL  
**MARI LUZ**



[www.nuestrosuministro.com](http://www.nuestrosuministro.com)

CATALOGO REPUESTOS  
VENDIMIADORAS  
2023

**PELLENC**

Suministros López Palomares S.L

**REF.307B**



SACUDIDOR STD

**Comp. 3938602**

3045, 3050, 3052, 3100, 3125, 3140, 3200, 4380, 4390, 4420, 4460, 8390 ...

52,07€/ud

**REF.309B**



BRAZO SACUDIDOR GR/LM 05

**Comp. 3938603**

3300, 3400, 4050, 4056, 4560, 8590

52,07€/ud

**REF.329B**



SACUDIDOR OPTIMUM

**Comp. 8927800/5646845**

8290, 8350, 8270, 8370, 8390, 8470, 8490, 8590

56,75€/ud

**REF.308B**



BRAZO DE SACUDIDOR 80XX 09

**Comp. 3971722**

8290, 8350, 8270, 8370, 8390, 8470, 8490, 8590, 890, MAV 803, MAV 8050

56,75€/ud

★  
¡ NUEVO !

**REF.367F**



SACUDIDOR "STD" NUEVO

**Comp. 3972836**

3045, 3050, 3052, 3100, 3125, 3140, 3200, 4380, 4390, 4420, 4460, 8390

65,70€/ud

★  
¡ NUEVO !

**REF.367J**



SACUDIDOR OPTIMUM

**Comp. 125000**

Optimum 530, Optimum 550, Optimum 570, Optimum 590, Optimum 750, Optimum 890, 60, XL 60, 8050

73,40€/ud

★  
¡ NUEVO !

**REF.367G**



SACUDIDOR GR

**Comp. 3969847**

3300, 3400, 4050, 4560, 8590

76,70€/ud

**REF.331A**



SACUDIDOR GUIA PALO SUPERIOR

**Comp. 3980847**

3050, 3100, 3200, 4240, 4320, 4340, 4360, 4380, 4420, 4460, 4560, 8290, 8350, 8270, 8370, 8390, 8470, 8490, 8590, MAV 8030, MAV 8050, MAV 8090

60,29€/ud

★  
¡ NUEVO !

**REF.331B**



SACUDIDOR GUIA PALO SUPERIOR

**Comp. 111346**

9056, 8000

81,78€/ud

★  
¡ NUEVO !

**REF.383A**



SACUDIDOR CURVADO DE ALTA RESISTENCIA

**Comp. 111116**

3050, 3100, 3200, 4240, 4320, 4340, 4360, 4380, 4420, 4460, 4560, 8290, 8350, 8370, 8390, 8470, 8490, 8590, Optimum 530, Optimum 550, Optimum 570, Optimum 590, Optimum 750, Optimum 890, MAV 8030, MAV 8050, MAV 8090

78,34€/ud

**REF.301D**



ESCAMA PLANA DERECHA

**Comp. 3918313**

3050, 3100, 3200, 4240, 4320, 4340, 4360, 4380, 4420, 4460, 4560, 8290, 8350, 8370, 8390, 8470, 8490, 8590, Optimum 530, Optimum 550, Optimum 570, Optimum 590, Optimum 750, Optimum 890, MAV 8030, MAV 8050, MAV 8090

13,88€/ud

**REF.302D**



ESCAMA PLANA IZQDA

**Comp. 3918311**

3050, 3100, 3200, 4240, 4320, 4340, 4360, 4380, 4420, 4460, 4560, 8290, 8350, 8370, 8390, 8470, 8490, 8590, Optimum 530, Optimum 550, Optimum 570, Optimum 590, Optimum 750, Optimum 890, MAV 8030, MAV 8050, MAV 8090

13,88€/ud

**REF.303D**



ESCAMA CON UNION DERECHA

**Comp. 3964866**

3050, 3100, 3200, 4240, 4320, 4340, 4360, 4380, 4420, 4460, 4560, 8290, 8350, 8370, 8390, 8470, 8490, 8590

16,81€/ud

**REF.304D**



ESCAMA CON UNION IZQDA

**Comp. 3964868**

3050, 3100, 3200, 4240, 4320, 4340, 4360, 4380, 4420, 4460, 4560, 8290, 8350, 8370, 8390, 8470, 8490, 8590

16,81€/ud

**REF.305D**



CODO IZQUIERDO

**Comp. 3964865**

3050, 3100, 3200, 4240, 4320, 4340, 4360, 4380, 4420, 4460, 4560, 8290, 8350, 8270, 8370, 8390, 8470, 8490, 8590, 8350, 8270, 8370, 8390, 8470, 8490, 8590

7,95/ud

**REF.306D**



CODO DERECHO

**Comp. 3964864**

7,95/ud

**REF.315D**



CODO IZQUIERDO OPTIMUM

**Comp. 3911850**

Optimum 530, Optimum 550, Optimum 570, Optimum 590, Optimum 750, Optimum 890, MAV 8030, MAV 8050, MAV 8090

15,07€/ud

**REF.316D**



CODO DERECHO OPTIMUM

**Comp. 3911851**

Optimum 530, Optimum 550, Optimum 570, Optimum 590, Optimum 750, Optimum 890, MAV 8030, MAV 8050, MAV 8090

15,07€/ud

**REF.317D**



ESCAMA OPTIMUM IZQUIERDA

**Comp. 39125435**

Optimum 530, Optimum 550, Optimum 570, Optimum 590, Optimum 750, Optimum 890

26,91€/ud

**REF.318D**



ESCAMA OPTIMUM DERECHA

**Comp. 39125437**

Optimum 530, Optimum 550, Optimum 570, Optimum 590, Optimum 750, Optimum 890

26,91€/ud

**REF.332A**



PLACA DISTANCIADORA ESCAMA OPTIMUM

**Comp. 120856 Comp. 133642,02913,133636**

Optimum 530, Optimum 550, Optimum 570, Optimum 590, Optimum 750, Optimum 890, MAV 8030, MAV 8050, MAV 8090

3,86€/ud

**REF.333A\***



TORNILLOS-INSERTO-ARANDELA ESCAMA OPTIMUM

Optimum 530, Optimum 550, Optimum 570, Optimum 590, Optimum 750, Optimum 890, MAV 8030, MAV 8050, MAV 8090

3,42€/ud

**REF.351A**



CHAPITA DERECHA UNIÓN CODO OPTIMUM A CHASIS

**Comp. 111865**

Optimum 530, Optimum 550, Optimum 570, Optimum 590, Optimum 750, Optimum 890, MAV 8030, MAV 8050, MAV 8090

5,16€/ud

**REF.351B**



CHAPITA IZQUIERDA UNIÓN CODO OPTIMUM A CHASIS

**Comp. 111866**

Optimum 530, Optimum 550, Optimum 570, Optimum 590, Optimum 750, Optimum 890, MAV 8030, MAV 8050, MAV 8090

5,16€/ud

**REF.379F**



CODO ESCAMA INYECTADA BLANCA

**Comp. 0**

Optimum 530, Optimum 550, Optimum 570, Optimum 590, Optimum 750, Optimum 890, MAV 8030, MAV 8050, MAV 8091

7,19€/ud

**REF.379D**



INSERTO DOBLE ROSCADO PARA ESCAMAS INYECTADAS

**Comp. 39134795**

Optimum 530, Optimum 550, Optimum 570, Optimum 590, Optimum 750, Optimum 890, MAV 8030, MAV 8050, MAV 8090

1,99€/ud

★  
¡ NUEVO !

**REF.378F**



ESCAMA IZQUIERDA INYECTADA BLANCA REFORZADA

**Comp. 131765**

Optimum 530, Optimum 550, Optimum 570, Optimum 590, Optimum 750, Optimum 890, MAV 8030, MAV 8050, Optimum 530, Optimum 550, Optimum 570, Optimum 590, Optimum 750, Optimum 890, MAV 8030, MAV 8050, MAV 8092 MAV 8092

22,19€/ud

★  
¡ NUEVO !

**REF.379G**



ESCAMA DERECHA INYECTADA BLANCA REFORZADA

**Comp. 131766**

22,19€/ud

**REF.379E**



TORNILLO TH SIN BORDON M8-30 CL8,8

**Comp. 139094**

Optimum 530, Optimum 550, Optimum 570, Optimum 590, Optimum 750, Optimum 890, MAV 8030, MAV 8050, MAV 8090

0,60€/ud

**REF.379C**



SUJECCIÓN CONTRACHAPADA ESCAMA BLANCA

**Comp. 39137242**

Optimum 530, Optimum 550, Optimum 570, Optimum 590, Optimum 750, Optimum 890, MAV 8030, MAV 8050, MAV 8090

4,31€/ud

**REF.310A**



PINZA TERMINAL BRAZO SACUDIDOR

**Comp. 3937488**

3050,3100,3200,4240,4320,4340,4360,4380,4420,4460,4560,8290,8350,83050,3100,3200,4240,4320,4340,4360,4380,4420,4460,4560,8290,8350,83050,270,8370,8390,8470,8490,8590, Optimum 530, Optimum 550, 270,8370,8390,8470,8490,8590, Optimum 530, Optimum 550, Optimum 570, Optimum 590, Optimum 750, Optimum 890, Optimum 570, Optimum 590, Optimum 750, Optimum 890, MAV 8030, MAV 8050, MAV 8090 MAV 8030, MAV 8050, MAV 8090 MAV 8030, MAV 8050, MAV 8090

10,79€/ud

**REF.311A**



INMOVILIZADOR SILENTBLOCK TERMINAL PINZA

**Comp. 3949603**

1,92€/ud

**REF.312A**



SILENT BLOCK PARA SACUDIDOR (14X30X42)

**Comp. 3967007**

3050,3100,3200,4240,4320,4340,4360,4380,4420,4460,4560,8290,8350,8270,837 0,8390,8470,8490,8590, Optimum 530, Optimum 550, Optimum 570, Optimum 590, Optimum 750, Optimum 890, MAV 8030, MAV 8050, MAV 8090

19,81€/ud

**REF.313A**



KIT COMPLETO PARA SACUDIDOR

**Comp. 3938604**

3050,3100,3200,4240,4320,4340,4360,4380,4420,4460,4560,8290,8350,8270,837 0,8390,8470,8490,8590, Optimum 530, Optimum 550, Optimum 570, Optimum 590, Optimum 750, Optimum 890, MAV 8030, MAV 8050, MAV 8090

32,99€/ud

**REF.314A**



KIT 2 TORNILLOS 8.8 M8X40+ 2 TUERCAS autoblocante esp.

**Comp. 39125437**

3050,3100,3200,4240,4320,4340,4360,4380,4420,4460,4560,8290,8350,8270,837 0,8390,8470,8490,8590, Optimum 530, Optimum 550, Optimum 570, Optimum 590, Optimum 750, Optimum 890, MAV 8030, MAV 8050, MAV 8090

1,32€/ud

**REF.346A\***



SILENT BLOCK ESCAMA PLANA

**Comp. 3932517**

3045, 3050,3052, 3100,3125, 3140, 3200, 4380, 4390, 4420, 4460, 8390 ...

40,87€/ud

**REF.344A**



TUERCA DE SEGURIDAD OVALADA M8 (para manguito)

**Comp. 0**

3050,3100,3200,4240,4320,4340,4360,4380,4420,4460,4560,8290,8350,8270,8370,8390,8470,8490,8590, Optimum 530, Optimum 550, Optimum 570, Optimum 590, Optimum 750, Optimum 890, MAV 8030, MAV 8050, MAV 8090

0,29€/ud

**REF.344B**



TUERCA DE SEGURIDAD OVALADA M12 (para Silentblock)

**Comp. 3934888**

3050,3100,3200,4240,4320,4340,4360,4380,4420,4460,4560,8290,8350,8270,8370,8390,8470,8490,8590, Optimum 530, Optimum 550, Optimum 570, Optimum 590, Optimum 750, Optimum 890, MAV 8030, MAV 8050, MAV 8090

0,49€/ud

**REF.334A**



SILENT BLOCK PARA SACUDIDOR SIN EJE (14X30X42)

**Comp. 3904779**

3050,3100,3200,4240,4320,4340,4360,4380,4420,4460,4560,8290,8350,8270,8370,8390,8470,8490,8590, Optimum 530, Optimum 550, Optimum 570,

15,70€/ud



**REF.345C**

**¡ NUEVO !**



KIT PARA SACUDIDORES INYECTABLES 2 TORNILLOS M8X60 8.8 + 2 TUERCAS M8 + 2 ARANDELAS

**Comp. 39107148**

3045, 3050,3052, 3100,3125, 3140, 3200, 4380, 4390, 4420, 4460, 8390

1,44€/ud

**REF.342C**



SIN TRANSPORTE

CINTA 250 (sin grapa) 1m

**Comp. 0**

3050, 3100, 3200, 4240, 4320, 4340, 4360, 4380, 4420, 4460, 4560, 8290, 8350, 8270, 8370, 8390, 8470, 8490, 8592

110,95€/ud

**REF.342H**



SIN TRANSPORTE

CINTA 250 (sin grapa) 11m

**Comp. 3934888**

3050, 3100, 3200, 4240, 4320, 4340, 4360, 4380, 4420, 4460, 4560, 8290, 8350, 8270, 8370, 8390, 8470, 8490, 8597

1.219,56€/ud

**REF.342D**



SIN TRANSPORTE

CINTA 310 (sin grapa) 1m

**Comp. 0**

3050, 3100, 3200, 4240, 4320, 4340, 4360, 4380, 4420, 4460, 4560, 8290, 8350, 8270, 8370, 8390, 8470, 8490, 8593

126,65€/ud

**REF.342I**



SIN TRANSPORTE

CINTA 310 (sin grapa) 11m

**Comp. 133636**

3050, 3100, 3200, 4240, 4320, 4340, 4360, 4380, 4420, 4460, 4560, 8290, 8350, 8270, 8370, 8390, 8470, 8490, 8598

1.391,90€/ud

**REF.340F**



GRAPA acero inoxidable para 250mm clavos de cobre

**Comp. 0**

60,29€/ud

**REF.340G**



GRAPA acero inoxidable para 310mm clavos de cobre

**Comp. 0**

66,29€/ud

**REF.145C**



GUIA CINTAINOX. 250 3 mm diámetro

**Comp. 0**

3050,3100,3200,4240,4320,4340,4360,4380,4420,4460,4560,8290,3050,3100,3200,4240,4320,4340,4360,4380,4420,4460,4560,8290,8350,8270,8370,8390,8470,8490,8590,8350,8270,8370,8390,8470,8490,8590

4,82€/ud

**REF.145D**



GUIA CINTA INOX. 310 3 mm diámetro

**Comp. 0**

4,95€/ud

**REF.339L**



UNIÓN inox para clavos de cobre (250mm)

**Comp. 0**

48,35€/ud

**REF.339M**



UNIÓN inox para clavos de cobre (310mm)

**Comp. 0**

54,24€/ud

**REF.154G**



ROLLO CINTA LISA 1m x 0,45m (3,2mm) POR METROS 2 TELAS

**Comp. 0**

PMME, PMM, GMM, G 50, G 50 A, G 50 E, G 55 H, G 55 I, G 55 VH, G 56 I, G 60, G 60 I, G 60 KW, G 60 WH, G 65, G 66, G 70, G 70 A, G 71, G 80, G 84, G 85, G 86, G 90, G 103, G 104, G 105, G 106, G 107, G 108, G 110, G 114, G 115, G 116, G 117, G 120, G 120 SW, G 121, G 122, G 125, G 130, G 132, G 132 BC, G 135V, G 140 SW, G 151, G 152, G 152 BC, G 152 I, G 160, G 167, G 170, G 175 V, G 240, G Prima, G1.190, G1.200, G2.220, G2.230, G3.220, G3.230, G3.250, G4.200, G4.210, G4.220, G5.310, G5.320, G6.200, G6.210, G7.200, G7.210, G7.220,

37,44€/ud

**REF.154H**



ROLLO CINTA LISA 1m x 0,45m (4,3mm) POR METROS 3 TELAS

**Comp. 0**

PMME, PMM, GMM, G 50, G 50 A, G 50 E, G 55 H, G 55 I, G 55 VH, G 56 I, G 60, G 60 I, G 60 KW, G 60 WH, G 65, G 66, G 70, G 70 A, G 71, G 80, G 84, G 85, G 86, G 90, G 103, G 104, G 105, G 106, G 107, G 108, G 110, G 114, G 115, G 116, G 117, G 120, G 120 SW, G 121, G 122, G 125, G 130, G 132, G 132 BC, G 135V, G 140 SW, G 151, G 152, G 152 BC, G 152 I, G 160, G 167, G 170, G 175 V, G 240, G Prima, G1.190, G1.200, G2.220, G2.230, G3.220, G3.230, G3.250, G4.200, G4.210, G4.220, G5.310, G5.320, G6.200, G6.210, G7.200, G7.210, G7.220,

51,48€/ud

**REF.339P**



UNIÓN RS125 inox para grapas(250mm)

**Comp. 24018**

43,39€/ud

**REF.339Q**



UNIÓN RS125 inox para grapas(310mm)

**Comp. 24005**

49,41€/ud

**REF.351C**



CLAVOS DE COBRE CON PUNTA (diám 2,1x17 mm)

**Comp. 3966137**

3050, 3100, 3200, 4240, 4320, 4340, 4360, 4380, 4420, 4460, 4560, 8290, 8350, 8270, 8370, 8390, 8470, 8490, 8590

0,30€/ud

**REF.343A**



RASCADOR POLEA

**Comp. 3911290**

3050, 3100, 3200, 4240, 4320, 4340, 4360, 4380, 4420, 4460, 4560, 8290, 8350, 8270, 8370, 8390, 8470, 8490, 8590

5,85€/ud

**REF.319A**



RODILLO INFERIOR LISO 250mm

**Comp. 3949620**

3045, 3050, 3052, 3100, 3125, 3140, 3200, 4380, 4390, 4420, 4460, 8390 ...

157,95€/ud

**REF.320A**



RODILLO MOTOR ABOMBADO 250mm

**Comp. 3984573**

3045, 3050, 3052, 3100, 3125, 3140, 3200, 4380, 4390, 4420, 4460, 8390 ...

175,50€/ud

**REF.321A**



RODILLO LISO 310mm

**Comp. 3949616**

3300, 3400, 4050, 4056, 4560, 8590

210,60€/ud

**REF.322A**



RODILLO MOTOR ABOMBADO 310mm

**Comp. 3984572**

3300, 3400, 4050, 4056, 4560, 8590

228,15€/ud

**REF.888A**



RODAMIENTO RODILLOS TRANSPORTADOR (LARGO GRR25)

**Comp. 3937508**

3050, 3100, 3200, 4240, 4320, 4340, 4360, 4380, 4420, 4460, 4560, 8290, 8350, 8270, 8370, 8390, 8470, 8490, 8590

30,17€/ud

**REF.889A**



RETEN DE RODAMIENTO PARA RODILLO 41,6-25,5-0,5

**Comp. 79417, 01161**

3050, 3100, 3200, 4240, 4320, 4340, 4360, 4380, 4420, 4460, 4560, 8290, 8350, 8270, 8370, 8390, 8470, 8490, 8590

3,34€/ud

**REF.341A**



SOPORTE DE PARADA INOX CINTA 250MM

**Comp. 0**

3050, 3100, 3200, 4240, 4320, 4340, 4360, 4380, 4420, 4460, 4560, 8290, 8350, 8270, 8370, 8390, 8470, 8490, 8590

28,97€/ud

**REF.341B**



SOPORTE DE PARADA INOX CINTA 310MM

**Comp. 0**

3050, 3100, 3200, 4240, 4320, 4340, 4360, 4380, 4420, 4460, 4560, 8290, 8350, 8270, 8370, 8390, 8470, 8490, 8590

34,35€/ud

**REF.378A\***



SOPORTE SACUDIDOR DELANTERO

**Comp. 3916063**

3300, 3400, 4050, 4056, 4560, 8590, 3045, 3050, 3052, 3100, 3125, 3140, 3200, 4380, 4390, 4420, 4460, 8390 ...

77,52€/ud

**REF.378B\***



SOPORTE SACUDIDOR TRASERO 2000

**Comp. 3916064**

3300, 3400, 4050, 4056, 4560, 8590, 3045, 3050, 3052, 3100, 3125, 3140, 3200, 4380, 4390, 4420, 4460, 8390 ...

102,69€/ud

**REF.378C\***



BRIDA DE FIJACIÓN SOPORTE SACUD

**Comp. 3916065**

3300, 3400, 4050, 4056, 4560, 8590, 3045, 3050, 3052, 3100, 3125, 3140, 3200, 4380, 4390, 4420, 4460, 8390 ...

46,55€/ud

**REF.378E**



TORNILLO BRIDAS-SOPORTE M12 CL10

**Comp. 0**

3300, 3400, 4050, 4056, 4560, 8590, 3045, 3050, 3052, 3100, 3125, 3140, 3200, 4380, 4390, 4420, 4460, 8390 ...

1,45€/ud

**REF.335A**



RODILLO GUIADO COMPLETO diam 78mm

**Comp. 3946291**

3045, 3050, 3052, 3100, 3125, 3140, 3200, 4380, 4390, 4420, 4460, 8390 ...

36,02€/ud

**REF.335B**



RODILLO GUIADO COMPLETO diam 88mm

**Comp. 39464816**

3300, 3400, 4050, 4056, 4560, 8590

42,19€/ud

**REF.335C**



RODILLO GUIADO CINTA SIN RODAMIENTOS Y SIN EJE Ø76

**Comp. 3946290**

3045, 3050, 3052, 3100, 3125, 3140, 3200, 4380, 4390, 4420, 4460, 8390 ...

16,90€/ud

**REF.335D**



RODILLO DEL TRANSPORTADOR Ø69/88

**Comp. 3962838**

3300, 3400, 4050, 4056, 4560, 8590

21,70€/ud

**REF.355A**



EJE RODILLO GUIADO CINTA

**Comp. 3942005**

3050, 3100, 3200, 4240, 4320, 4340, 4360, 4380, 4420, 4460, 4560, 8290, 8350, 8270, 8370, 8390, 8470, 8490, 8590, Optimum 530, Optimum 550, Optimum 570, Optimum 590, Optimum 750, Optimum 890, MAV 8030, MAV 8050, MAV 8090

16,90€/ud

**REF.353A**



COJINETE NYLON Ø30-31

**Comp. 3937603, 3966137**

Optimum 530, Optimum 550, Optimum 570, Optimum 590, Optimum 750, Optimum 890, MAV 8030, MAV 8050, MAV 8092

6,15€/ud

**REF.354A**



DEFLECTOR IZQ. RODILLO GUIADO CINTA

**Comp. 3911237**

3050, 3100, 3200, 4240, 4320, 4340, 4360, 4380, 4420, 4460, 4560, 8290, 8350, 8270, 8370, 8390, 8470, 8490, 8590, Optimum 530, Optimum 550, Optimum 570, Optimum 590, Optimum 750, Optimum 890, MAV 8030, MAV 8050, MAV 8090

19,30€/ud

**REF.354B**



DEFLECTOR DCH. RODILLO GUIADO CINTA

**Comp. 3911236**

3050, 3100, 3200, 4240, 4320, 4340, 4360, 4380, 4420, 4460, 4560, 8290, 8350, 8270, 8370, 8390, 8470, 8490, 8590

19,30€/ud

**REF.358A\***



COPELA 130/30\*2 RODILLO LISO

**Comp. 3911208**

3050,3100,3200,4240,4320,4340,4360,4380,4420,4460,4560,8290,8350,8270,837  
0,8390,8470,8490,8590, Optimum 530, Optimum 550, Optimum 570,  
Optimum 590, Optimum 750, Optimum 890, MAV 8030, MAV 8050,  
MAV 8090

31,20€/ud

**REF.359A\***



POLEA GUIADO CINTA 2005 PVC

**Comp. 3949615, 3945813**

3050,3100,3200,4240,4320,4340,4360,4380,4420,4460,4560,8290,8350,8270,837  
0,8390,8470,8490,8590, Optimum 530, Optimum 550, Optimum 570,  
Optimum 590, Optimum 750, Optimum 890, MAV 8030, MAV 8050,  
MAV 8090

28,15€/ud

**REF.371A\***



PALPADOR ALTURA GOMA STD

**Comp. 3923825**

3050, 3100, 3200, 4240, 4320, 4340, 4360, 4380, 4420, 4460,  
4560, 8290, 8350, 8270, 8370, 8390, 8470, 8490, 8590

81,20€/ud

**REF.380A\***



PINTURA NARANJA AEROSOL 0,4L

**Comp. 1640055**

3050,3100,3200,4240,4320,4340,4360,4380,4420,4460,4560,8290,8350,8270,837  
0,8390,8470,8490,8590, Optimum 530, Optimum 550, Optimum 570, Optimum  
590, Optimum 750, Optimum 890, MAV 8030, MAV 8050, MAV 8090

19,85€/ud

**REF.349A**



PATÍN GIRO DESCENDENTE DERECHO  
TDR2-4-5

**Comp. 39107147**

8290,8350,8270,8370,8390,8470,8490,8590, MAV 8030,  
MAV 8050, MAV 8090

20,50€/ud

**REF.350A**



PATÍN GIRO ASCENDENTE TDR2-4-5

**Comp. 39107148**

8290,8350,8270,8370,8390,8470,8490,8590, MAV 8030,  
MAV 8050, MAV 8090

28,10€/ud

**REF.364A\***



SOPORTE SUP. DE ÁRBOL TRASERO STD  
Y SUPERIOR ÁRBOLES GR

**Comp. 3901106**

3050,3100,3200,4240,4320,4340,4360,4380,4420,4460,4560,8290,8350,8270,837  
0,8390,8470,8490,8590, Optimum 530, Optimum 550, Optimum 570,  
Optimum 590, Optimum 750, Optimum 890, MAV 8030, MAV 8050,  
MAV 8090

90,50€/ud

**REF.365A\***



SOPORTE INF. Y SUP. DE ÁRBOL  
DELANTERO STD

**Comp. 3901099**

3050,3100,3200,4240,4320,4340,4360,4380,4420,4460,4560,8290,8350,8270,837  
0,8390,8470,8490,8590, Optimum 530, Optimum 550, Optimum 570,  
Optimum 590, Optimum 750, Optimum 890, MAV 8030, MAV 8050,  
MAV 8090,124,55

132,47€/ud

**REF.365B\***



COJINETE DE SACUDIDA POST. BAJO

**Comp. 3912544**

3050,3100,3200,4240,4320,4340,4360,4380,4420,4460,4560,8290,8350,8270,837  
0,8390,8470,8490,8590, Optimum 530, Optimum 550, Optimum 570,  
Optimum 590, Optimum 750, Optimum 890, MAV 8030, MAV 8050,  
MAV 8090

420€/ud

**REF.374A\***



SILENTBLOCK D=100 H=30 60SH  
(EXCENTRICO MAV)

**Comp. 3916015**

3050, 3100, 3200, 4240, 4320, 4340, 4360, 4380, 4420, 4460,  
4560, 8290, 8350, 8270, 8370, 8390, 8470, 8490, 8590

76,87€/ud

**REF.374B\***



SILENTBLOCK 70SH

**Comp. 3969847**

3050, 3100, 3200, 4240, 4320, 4340, 4360, 4380, 4420, 4460,  
4560, 8290, 8350, 8270, 8370, 8390, 8470, 8490, 8590

15,86€/ud

**REF.374C\***



SILENTBLOCK HEXAGONAL H28 M8x20 35SHA

**Comp. 3980486**

3050, 3100, 3200, 4240, 4320, 4340, 4360, 4380, 4420, 4460,  
4560, 8290, 8350, 8270, 8370, 8390, 8470, 8490, 8590

45,00€/ud

**REF.330A**



BABERO DELANTERO STD

**Comp. 3931961**

3050,3100,3200,4240,4320,4340,4360,4380,4420,4460,4560,8290  
,8350,8270,8370,8390,8470,8490,8590

43,41€/ud

**REF.330B**



BABERO DELANTERO OPTIMUM

**Comp. 120856**

Optimum 530, Optimum 550, Optimum 570, Optimum 590,  
Optimum 750, Optimum 890, MAV 8030, MAV 8050, MAV 8090

43,41€/ud

**REF.888B**



RODAMIENTO SOPORTE INF. Y SUP. DE  
ÁRBOL DELANTERO STD Ø35 YAR 207F

**Comp. 3903489**

3050, 3100, 3200, 4240, 4320, 4340, 4360, 4380, 4420, 4460,  
4560, 8290, 8350, 8270, 8370, 8390, 8470, 8490, 8591

42,19€/ud

**REF.346D**



SILENTBLOCK ÚLTIMA ESCAMA 05

**Comp. 3937304**

3045, 3050,3052, 3100,3125, 3140, 3200, 4380, 4390, 4420, 4460,  
8390 ...

44,59€/ud

**REF.361A\***



PALETA SEPARADOR DE HOJAS STD

**Comp. 3920684**

3045, 3050,3052, 3100,3125, 3140, 3200, 4380, 4390, 4420, 4460  
8390 ...

54,43€/ud

**REF.361B\***



PALETA SEPARADOR DE HOJAS GR

**Comp. 3929339**

3300, 3400, 4050, 4056, 4560, 8590

71,49€/ud

**REF.336A**



PLACA FIJACION ARTICULACIONES 2mm

**Comp. 39125455**

3050,3100,3200,4240,4320,4340,4360,4380,4420,4460,4560,8290,8350,8270,837  
0,8390,8470,8490,8590

1,93€/ud

★  
**¡ NUEVO !**

**REF.345B**



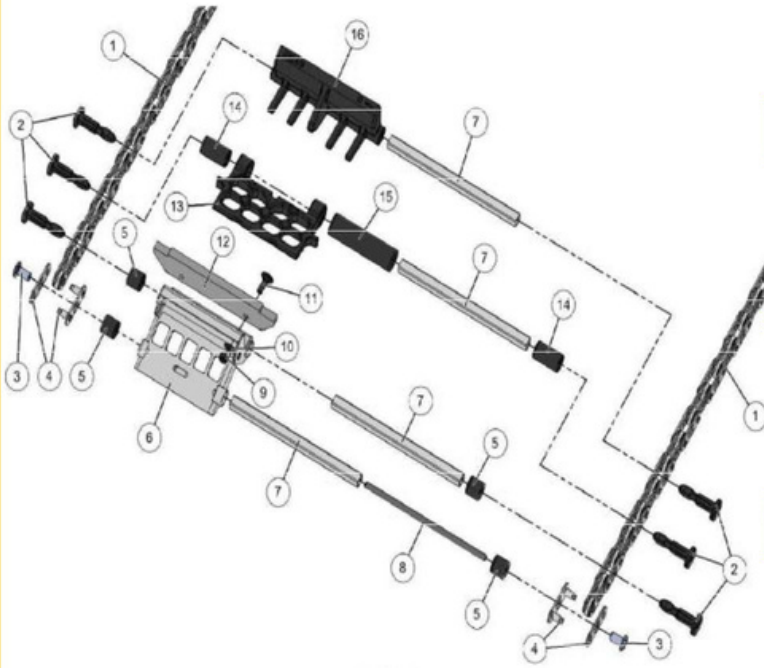
TUERCA CAUTIVA TIPO CLIP M8x5

**Comp. 3965078**

3045, 3050,3052, 3100,3125, 3140, 3200, 4380, 4390, 4420, 4460, 8390 ...

0,66€/ud

**GRAPE 'S LINE, STD**



★ REF.384A  
¡ NUEVO !



N°1 CADENA RODILLO\_PAS, ml

Comp. 0

70,20€/m

★ REF.384B  
¡ NUEVO !



N°2 CONJ TAPÓN EXPANSIVO CINTA 2013

Comp. 111192

2,10€/ud

★ REF.384C  
¡ NUEVO !



N°3 TAPÓN CIERRE

Comp. 111190

8,19€/ud

★ REF.384D  
¡ NUEVO !



0

Comp. 0

6,44€/ud

★ REF.384E  
¡ NUEVO !



N°5 PIVOTE ARIETE 22mm

Comp. 109919

2,34€/ud

REF.384F\*



N°6 KIT ARIETE TDR M

Comp. 120262

438,75€/ud

★ REF.384G  
¡ NUEVO !



N°7 VARILLA CUADRADA 238mm

Comp. 111190

5,20€/ud

★ REF.384H  
¡ NUEVO !



N°8 TIRANTE CIERRE CINTA 225mm

Comp. 105513

2,60€/ud

REF.384J



N°9,10,11 TORNILLO, ARANDELA TUERCA

Comp. 08188,08112,51538

1,17€/ud

★ REF.384K  
¡ NUEVO !



N°12 PLACA DE DESGASTE ARIETE STD

Comp. 109835

23,40€/ud

★ REF.384L  
¡ NUEVO !



N°13 PALETA 21X30

Comp. 101903

10,41€/ud

★ REF.384M  
¡ NUEVO !



N°14 PIVOTE PALETA CADENA 43mm

Comp. 101905

2,60€/ud

★ REF.384N  
¡ NUEVO !



N°15 PARADA PALETA STD 112mm

Comp. 102135

3,99€/ud

★ REF.384P  
¡ NUEVO !



N°16 ARBOL BAJO STD CUADRADO 15

Comp. 102761

15,80€/ud

★ REF.388A  
¡ NUEVO !

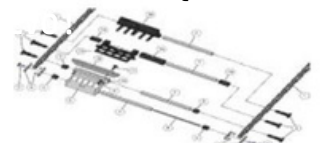


ARBOL ALTO STD CUADRADO 15

Comp. 85088

20,95€/ud

★ REF.384Q

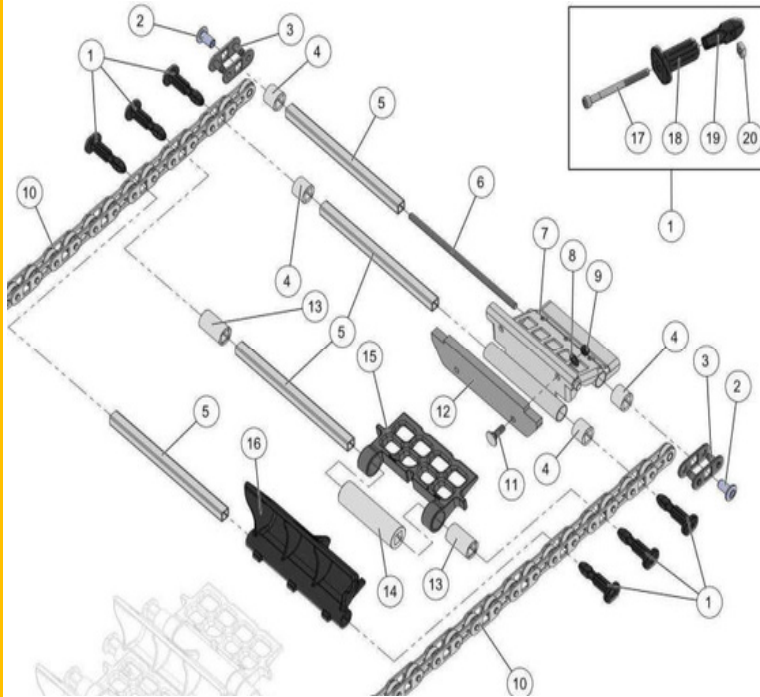


CADENA MONTADA STD POR METRO

Comp. 0

278,46€/m

**EASY SMART XL, GR**



★ **REF.385A**  
¡ NUEVO !



N°1 CADENA RODILLO\_PAS, ml  
Comp. 0

70,20€/m

★ **REF.385B**  
¡ NUEVO !



N°1 CONJ TAPÓN EXPANSIVO CINTA 2013  
Comp. 111192

2,10€/ud

★ **REF.385C**  
¡ NUEVO !



N°2 TAPÓN CIERRE  
Comp. 111117

8,19€/ud

★ **REF.385D**  
¡ NUEVO !



N°3 ENGANCHE RÁPIDO  
Comp. 0

6,44€/ud

★ **REF.385E**  
¡ NUEVO !



N°4 PIVOTE ARIETE 22mm  
Comp. 109919

2,35€/ud

★ **REF.385F**  
¡ NUEVO !



N°5 TUBO CIERRE CINTA RODILLO 309mm  
Comp. 111212

5,26€/ud

★ **REF.385G**  
¡ NUEVO !



N°6 TIRANTE CIERRE GR 288mm  
Comp. 105592

3,39€/ud

**REF.385H\***



N°7 KIT ARIETE  
Comp. 120479

450,45€/ud

**REF.385J**



N°8,9,11 TORNILLO, ARANDELA TUERCA  
Comp. 08112,08188,60856

1,19€/ud

★ **REF.385K**  
¡ NUEVO !



N°12 PLACA DE DESGASTE ARIETE GR  
Comp. 109778

24,59€/ud

★ **REF.385L**  
¡ NUEVO !



N°13 PIVOTE PALETA CADENA 43mm  
Comp. 101905

2,60€/ud

★ **REF.385M**  
¡ NUEVO !



N°14 PARADA PALETA GR 178mm  
Comp. 105409

3,99€/ud

★ **REF.385N**  
¡ NUEVO !



N°15 PALETA GR 21X30  
Comp. 102134

11,49€/ud

★ **REF.385P**  
¡ NUEVO !



N°16 ARBOL ALTO CUADRADO 15  
Comp. 87364

21,06€/ud

★ **REF.330C**  
¡ NUEVO !



BABERO DELANTERO9056  
Comp. 35186

9056, L55,L60,L70,L80  
57,44€/ud

★ **REF.385Q**

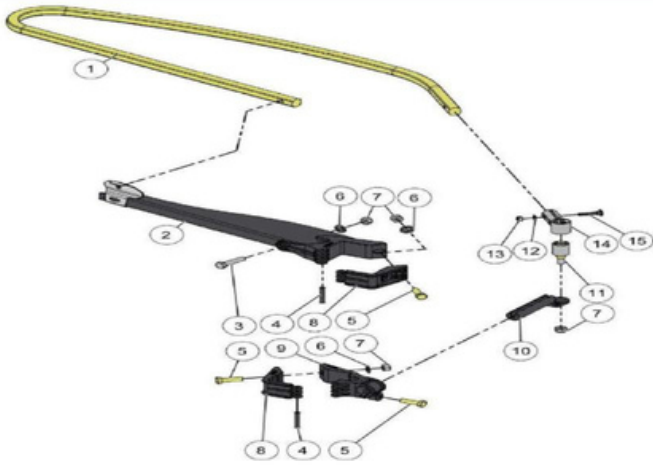


CADENA MONTADA GR POR METRO  
Comp. 0

286,62€/m



**329B/308B**



**REF.386A\***



Nº2 BRAZO OPTIMUM

**Comp. 150282**

243,39€/ud



**REF.386E**

¡ NUEVO !



Nº2 BRAZO OPTIMUM

**Comp. 150282**

114,67€/ud

**REF.386F\***



BRAZO 80XX

**Comp. 107465**

255,50€/ud



**REF.386J**

¡ NUEVO !



BRAZO 80XX

**Comp. 107465**

114,67€/ud

**REF.387A\***



Nº9 SOPORTE BRAZO

**Comp. 132150**

239,88€/ud



**REF.387B**

¡ NUEVO !



Nº9 SOPORTE BRAZO

**Comp. 132150**

114,67€/ud

**REF.386B\***



Nº8, 9 y 4 CONJUNTO CONTRABRIDA SOPORTE SACUDIDOR

**Comp. 70628**

105,30€/ud

**REF.386C\***



Nº10 SOPORTE DELANTERO BRAZO

**Comp. 75682**

51,45€/ud

**REF.382A**



¡ NUEVO !



PLACA 2mm

**Comp. 111192**

2,02€/ud

**REF.382B**



¡ NUEVO !



PLACA 4mm

**Comp. 0**

2,35€/ud

**REF.387C**



Nº3,6,7 TORNILLO 40, ARANDELA, TUERCA M12

**Comp. 14788,47069,115252**

2,22€/ud

**REF.386D**



Nº3,6,7 TORNILLO 55, ARANDELA, TUERCA M12

**Comp. 115251,47069,115252**

2,35€/ud